

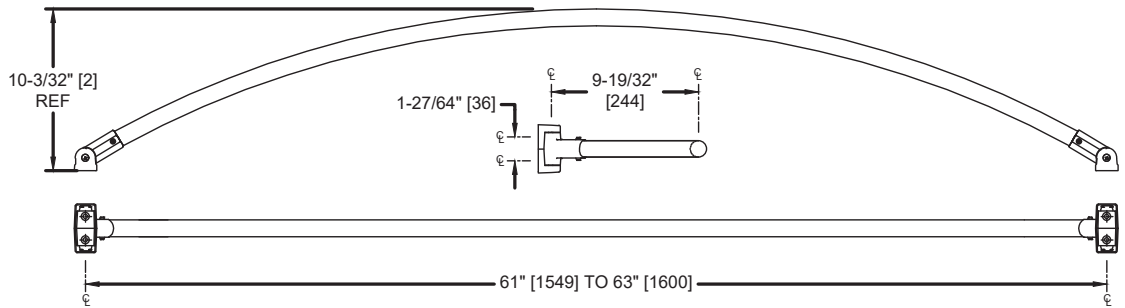
Shower Curtain Rod, Curved w/ Mounting Brackets, 1" Dia [Ø25] – Various Lengths

Shower/Tub Accessories

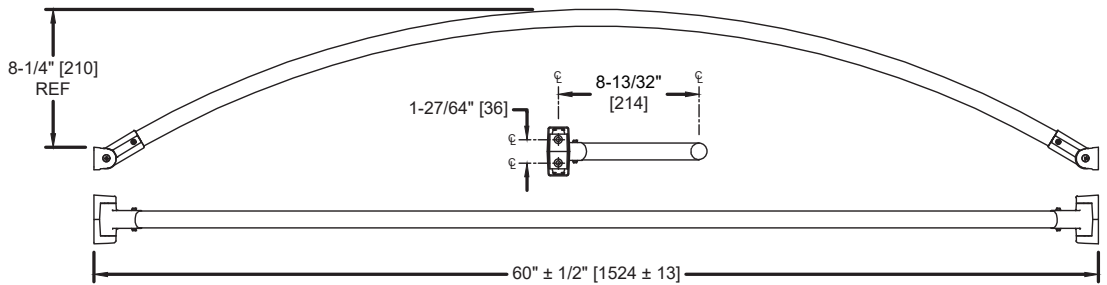
MasterFormat Section 10 28 13



FOR TYPE A INSTALLATION ON FACE WALLS



FOR TYPE B INSTALLATION ON OPPOSITE WALLS



Scan for Information



SUSTAINABILITY/LEED

MR 4.1 (1) MR 6 (1) EQ 4.2 (1)
MR 4.2 (1) EQ 4.1 (1) EQ 4.4 (1)

NOTE:
ALL DIM'S INCH [MM]
ILLUSTRATION FOR REF ONLY AND NTS

PRODUCT OVERVIEW

Fabricated of alloy 18-8 stainless steel, type 304. Tubing is 18 gauge, 1" OD [Ø25] with a #4 satin finish. Length suitable for a 60" [1524] wide enclosure either on opposite walls or across the face opening depending upon rod length chosen. Flanges are fabricated of heavy-duty rust proof Zamak 3 with a Chrome finish. Flanges include two (2) countersunk 15/64" diameter [Ø6] holes to accept #10 [M5] flat or oval head screws (by others). Outwards bow of installed curved rod provides additional 8-1/4" [210] of shoulder room at mid-point of enclosure beyond what a similarly placed straight rod affords. A complete instruction manual is provided with each unit.

KEY FEATURES & SPECIFICATIONS

- Curved rod makes shower more spacious
- Type 304 Stainless Steel - Satin Finish

OPERATION & MAINTENANCE

Outwards bow of installed curved rod provides additional 8-1/4" [210] of shoulder room at mid-point of enclosure beyond what a similarly placed straight rod affords. A complete instruction manual is provided with each unit.

TECHNICAL INFORMATION / PRODUCT PROPERTIES

Property	Value
Dimensions	Multiple Sizes Available
Construction	Type 304 Stainless Steel - Satin Finish
Mounting	Wall Mounted
Materials	<p><u>Tubing:</u> 18 gauge (.048" [1,22] thick) type 304 stainless steel, 1" Dia. [Ø25]. Exposed surfaces are satin finish. Edges and corners are radiused and burr free.</p> <p><u>Flanges:</u> Heavy-duty rust proof ZamaK 3 with a Chrome finish</p>

INSTALLATION

Rod is installed between two (2) mounting brackets and locked against rotation with setscrews (provided) in bracket rod holder bore. Brackets may be mounted on opposing walls at each side of enclosure opening or outside opening across face walls depending upon model chosen. For use with standard shower curtain model N° 1200-V (order separately) having 72" [1829] length and standard hooks Model #1200-SHU (order separately). Install unit with rod centerline 74-1/2" [1892] AFF or 67" [1702] above tub rim to obtain 6" [152] bottom overlap. Mounting instruction sheet for drywall or masonry wall is included with each unit.

SIZE OPTIONS

Options:	1201-A: 63" [1600] x 1-27/64" [36] x 10-3/32" [256]	1201-B: 60" [1524] x 1-27/64" [36] x 8-1/4" [210]
Mounting:	Outside Face Wall Surface Mounting	Inside Opposite Wall Surface Mounting
Rod Length:	61" [1549] to 63" [1600]	60" [1524] ± 1/2" [13]

WARRANTY

One (1) Year from date of Invoice